



[CLICK for More Info Online](#)

## Bolt-on Adjustable Driveshaft Safety Loop



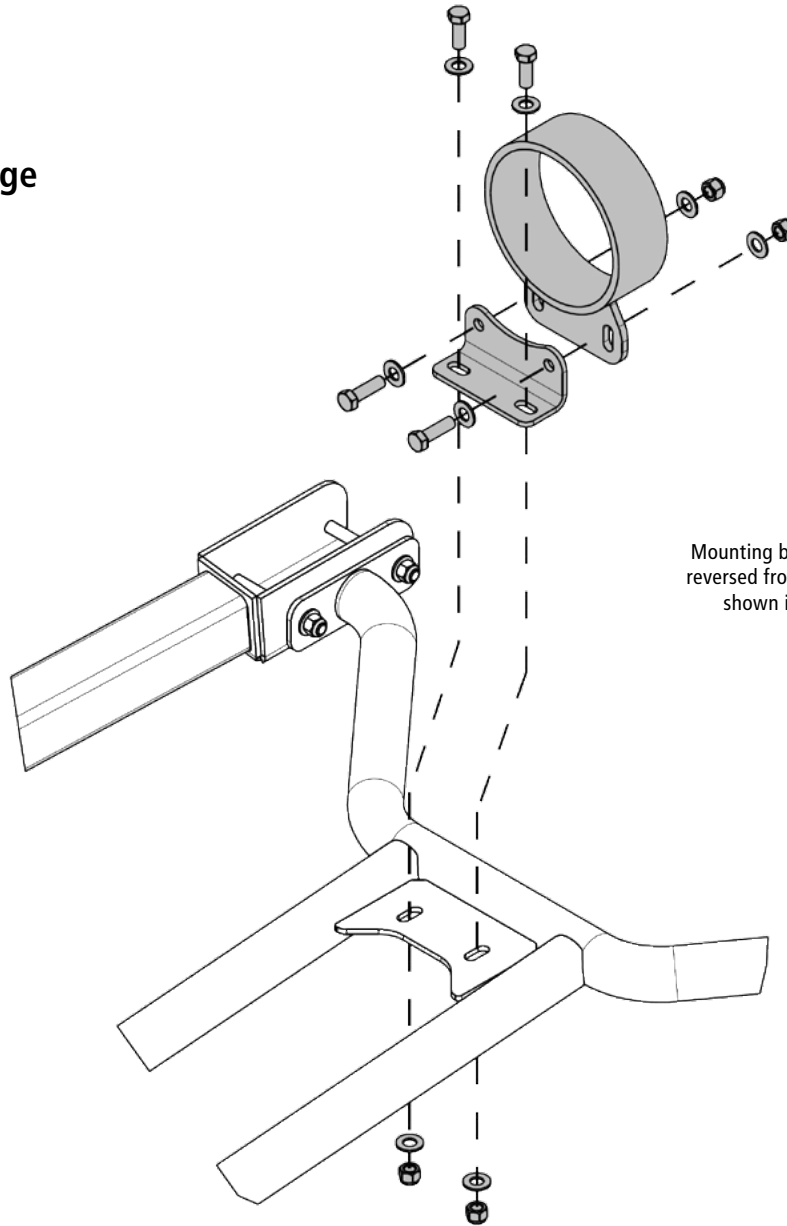
### Features

- Bolt-in installation with existing TCP Connector Center Support
- Mild steel construction, allows distortion of loop without breakage
- Adjustable position for various drivetrain combinations
- Loop Dimensions: 5-1/2" ID x 2" wide x 1/4" thick
- Grade 8 mounting hardware

Our bolt-on driveshaft safety loop features a 5-1/2" ID x 2" wide x 1/4" thick tubing loop. Both the mounting tab and bracket are 1/4" thick mild steel and are secured with grade 8 fasteners. Slotted holes at each of the attachment points allow the loop position to be adjusted for various transmission lengths and driveshaft angles (1/2" vertical, 3/8" horizontal, 3-5/16" fore/aft). Components are powder-coated and zinc plated for corrosion resistance. Installation of our connector center support for hardtops is required.

## Adjustment Range

- Vertical: 1/2"
- Horizontal: 3/8"
- Fore/Aft: 3-5/16"



Mounting bracket can be reversed from orientation shown in illustration.

## Applications - Connector Support Installation Required

Make	Model	Year	Body Style	Connector Support	Driveshaft Loop
Ford	Mustang	1964-1970	Coupe	TCP SUBCS-01	<b>TCP DSL-01</b>
			Fastback	TCP SUBCS-01	<b>TCP DSL-01</b>
Mercury	Cougar	1967-1970	Hardtop	TCP SUBCS-01	<b>TCP DSL-01</b>

All prices subject to change. Current pricing available at [www.cachassisworks.com](http://www.cachassisworks.com).



Total Control Products  
8661 Younger Creek Drive - Sacramento, CA 95828  
A Chris Alston's Chassisworks, Inc. Brand

Order: 800-722-2269  
Tech: 916-388-0288  
Fax: 916-388-0295

[tcpsales@cachassisworks.com](mailto:tcpsales@cachassisworks.com)  
[tcptech@cachassisworks.com](mailto:tcptech@cachassisworks.com)  
[www.totalcontrolproducts.com](http://www.totalcontrolproducts.com)