

WARRANTY NOTICE:

There are **NO WARRANTIES**, either expressed or implied. Neither the seller nor manufacturer will be liable for any loss, damage or injury, direct or indirect, arising from the use or inability to determine the appropriate use of any product. Before any attempt at installation, all drawings and/or instruction sheets should be completely reviewed to determine the suitability of the product for its intended use. In this connection, the user assumes all responsibility and risk. We reserve the right to change specification without notice. Further, Chris Alston's Chassisworks, Inc., makes **NO GUARANTEE** in reference to any specific class legality of any component. **ALL PRODUCTS ARE INTENDED FOR RACING AND OFF-ROAD USE AND MAY NOT BE LEGALLY USED ON THE HIGHWAY.** The products offered for sale are true race-car components and, in all cases, require some fabrication skill. **NO PRODUCT OR SERVICE IS DESIGNED OR INTENDED TO PREVENT INJURY OR DEATH.**

INSTALLATION GUIDE



Leaf Spring Plates For Staggered Shocks

P/N: TCP LSP-02



Total Control Products

A Chris Alston's Chassisworks, Inc. Brand

8661 Younger Creek Drive

Sacramento, CA 95828

Phone: 916-388-0288

Technical Support: tcptech@cachassisworks.com

7903-LSP-02

REV 10/27/09

DESCRIPTION:

LEAF SPRING PLATES WITH VEHICLE TIE DOWN LOOPS FOR 2-1/2" SPRINGS AND STAGGERED SHOCK MOUNTS. WILL FIT 7/16" & 1/2" U-BOLTS AND 2-1/4" TO 3-1/4" AXLE TUBES. CONTAINS 2 PASSENGER SIDE

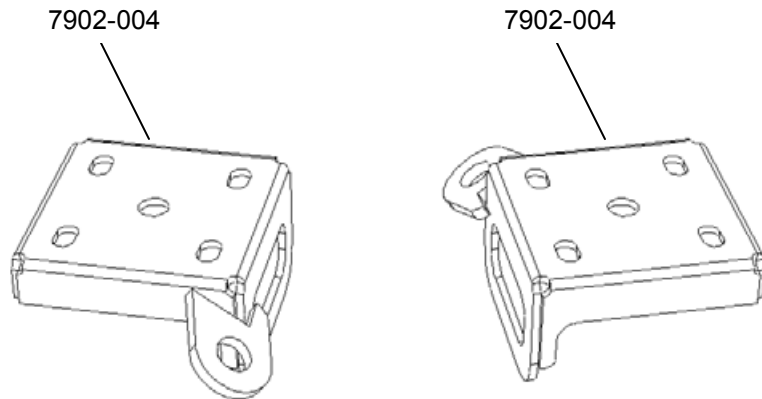
APPLICATIONS:

FITS '69-'70 BOSS 302 AND OTHER PERFORMANCE MODELS WITH 2-1/2" LEAF SPRINGS AND STAGGERED STEM-MOUNT SHOCKS.

PARTS LIST

Item Number	Description	Qty
7902-004	Passenger Side Plate, Powder-coated	2

FRONT OF VEHICLE



REAR OF VEHICLE

INSTRUCTIONS

1. Support the rear of the vehicle securely using jack stands. The car should be lifted by the chassis and NOT the axle.
2. Unbolt your existing spring plate from the leaf spring and shock.
3. The new spring plate will bolt into the same position. The tow hook tab should face towards the differential.
4. Tighten all bolts.

NOTE: The hole for the shock is drilled .700" in diameter to fit most aftermarket shocks. Some OEM shocks have bushings for larger holes. If using shocks with larger bushings, you will need to use the supplied TCP replacement bushings (#899-013-202) to insure a proper fit.